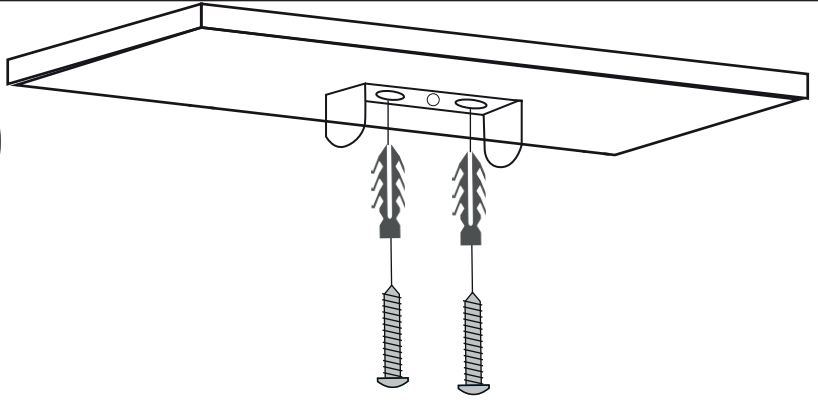
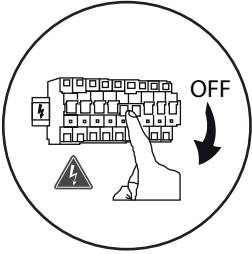
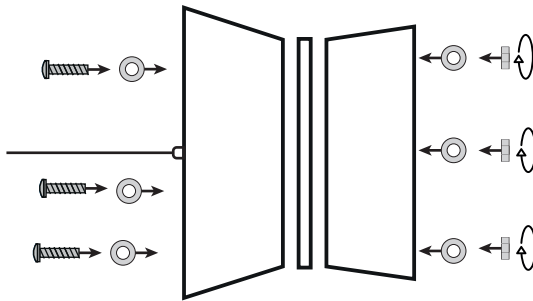


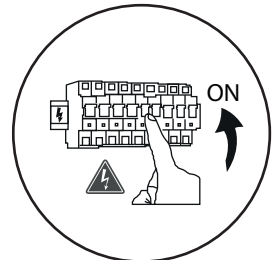
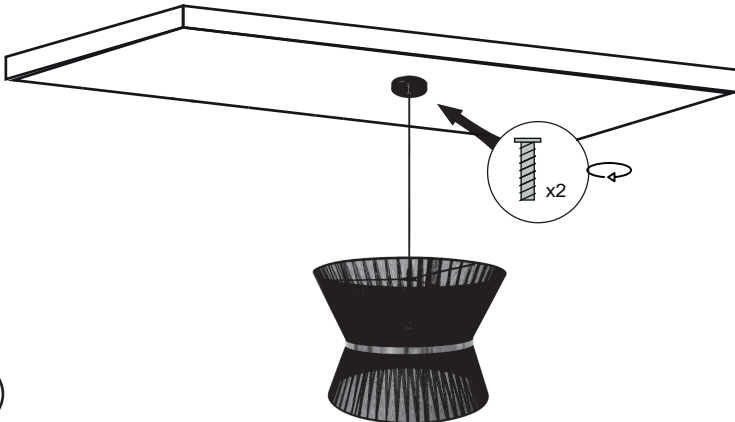
APP1503-1CP



1



2



3