

APP1802-CP



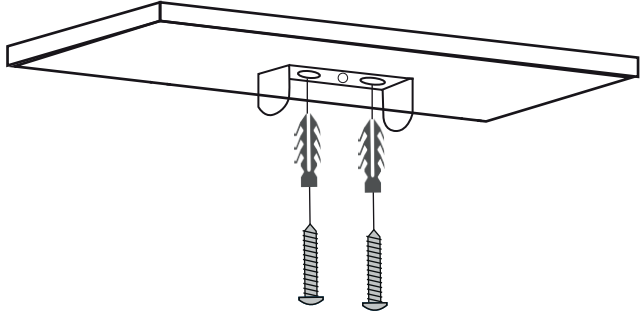
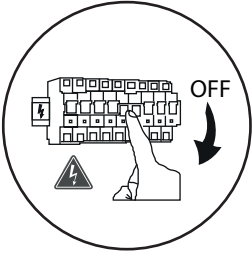
x2



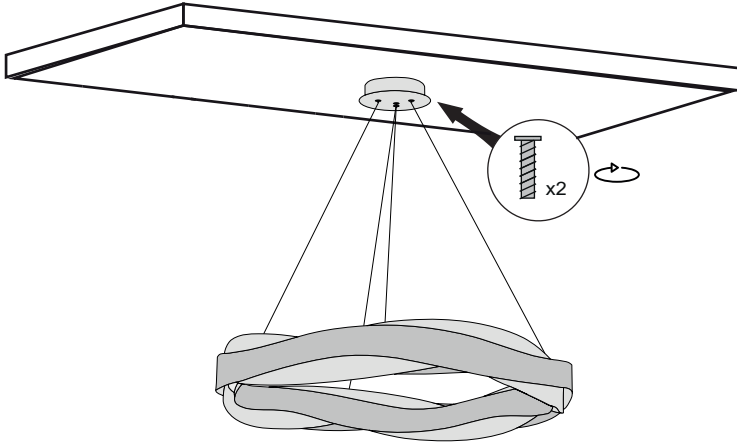
x2



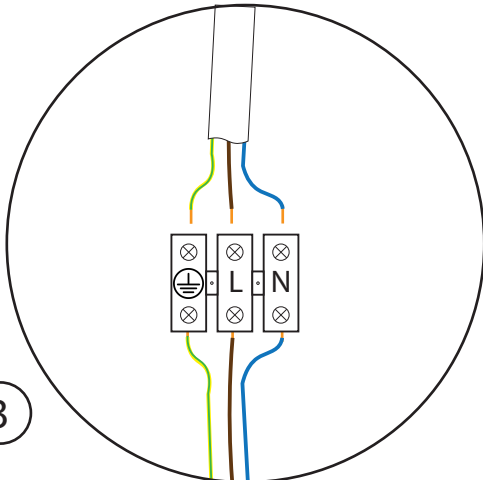
x2



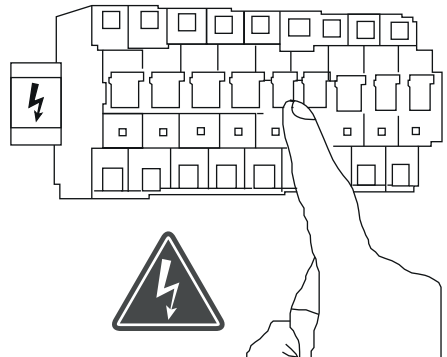
1



2



3



ON