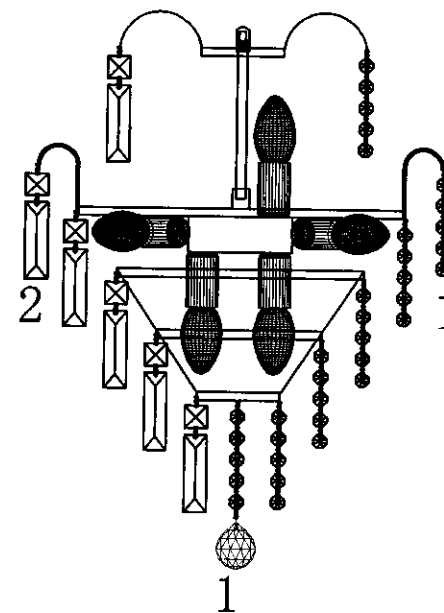
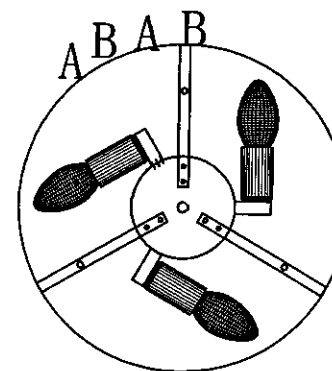
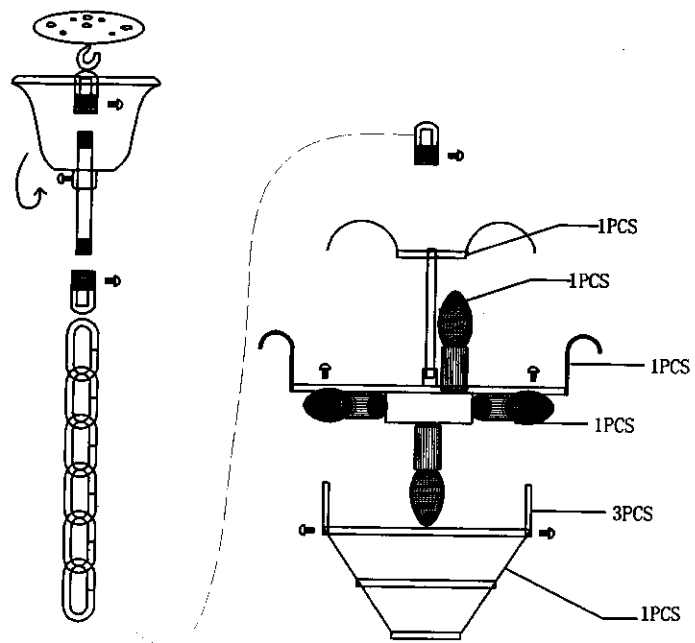
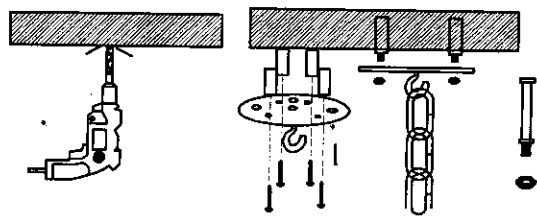


1. ASL ELECTRICIAN TO INSTALL
2. MAKE SURE THE SWITCH IS IN "OFF" STATUS OR HAVE THE POWER CUT WHILE ASSEMBLING.



1:83PCS

2:82PCS