

APP1243-3C



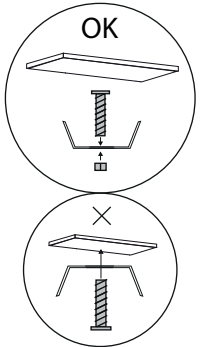
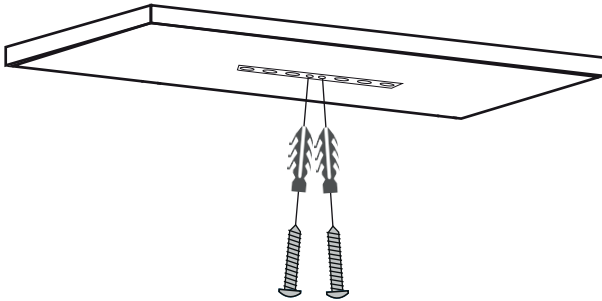
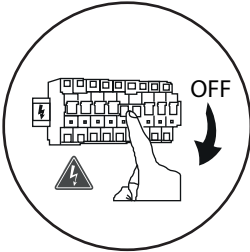
U x2



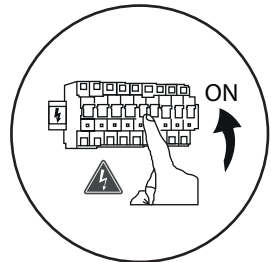
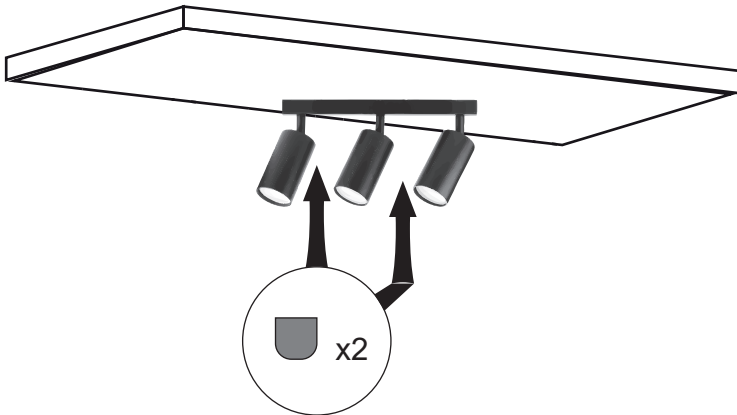
x2



x2



1



2